



KONICA MINOLTA

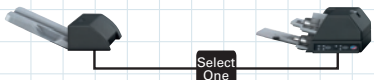
# bizhub C554e/C454e Spec Sheet

## System

**Select One** One of the options may be selected (not mandatory).

**Must Select** Once of the options must be selected (mandatory).

- Job Separator JS-602\*1**  
When attached to the FS-535, this becomes the fax/print/copy output separator tray.  
\*1 PI-505 and JS-602 cannot be installed at the same time.
- Post Inserter PI-505\*1**  
When attached to Finisher FS-535, allows you to add white paper cover sheet/inter sheet, and operate the Finisher manually.



- Z Folding Unit ZU-606**  
Includes Z-folding function and hole punching function.

- Punch Kit PK-521**  
Attaches to Finisher FS-535 for hole punching capability. (paper up to 300 g/m<sup>2</sup> thick)

- Saddle Stitcher SD-512**  
Attaches to Finisher FS-535 for saddle stitching, half folding and tri-folding jobs.

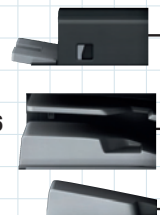
- Staples MS-10A**  
\* for FS-535

- Staple Kit SK-602**  
\* for SD-512

- Finisher FS-535**  
A high-performance finisher that allows you to multi-staple up to 100 sheets.

**bizhub C554e only**

- Finisher FS-533**  
Inner finisher
- Punch kit PK-519**
- Job Separator JS-506**  
Inner job separator
- Output Tray OT-506**

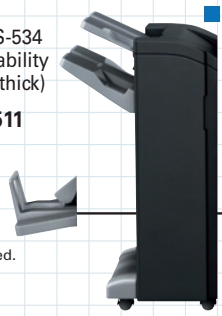


- Punch Kit PK-520**  
Attaches to Finisher FS-534 for hole punching capability (paper up to 300 g/m<sup>2</sup> thick)

- Saddle Stitcher SD-511**  
Attaches to Finisher FS-534 for saddle stitching, half folding and tri-folding jobs.  
\* SD-511 cannot be retrofitted.

- Staple Kit SK-602**  
\* for FS-534, SD-511

- Finisher FS-534**  
A small, low-noise and high-performance finisher that allows you to multi-staple up to 50 sheets.



- Upgrade kit UK-204**  
2 GB memory
- i-Option LK-101 v3**  
Web browse function
- i-Option LK-102 v3**  
Encrypted PDF or PDF/A (1a/1b)
- i-Option LK-104 v3**  
Voice guidance  
\* Local Interface Kit EK-606 or EK-607 is required.
- i-Option LK-105 v3**  
Searchable PDF

- i-Option LK-111**  
ThinPrint function
- Keypad KP-101**

- Security Kit SC-508**  
\* Two SC-508 are required.

- Image Controller (Fiery) IC-414**

- Video Interface Kit (Fiery) VI-506**

- Fax Kit FK-511**  
For 1st / 2nd line  
\* 1st line : Requires Main Unit + one FK-511  
2nd line: Requires Main Unit + two FK-511

- Stamp Unit SP-501**

- i-Option LK-106**  
Barcode font (Code39, QR Code, PDF417)
- i-Option LK-107**  
Unicode font
- i-Option LK-108**  
OCR font (OCR-A, OCR-B (PCL))
- i-Option LK-110**  
File format extension package
- bizhub Connector S-1/G-1/E-1**  
\* LK-101 v3 is required.

- i-Option LK-115**  
TPM function  
\* Not available in all areas.

- Upgrade kit UK-208**  
Android terminal connection kit 1

- Local Interface Kit EK-606**  
USB hub kit / Voice guidance

- Local Interface Kit EK-607**  
USB hub kit / Voice guidance / mobile phone compatibility

- Working Table WT-506**

- Authentication Unit AU-102**  
Biometric type  
\* WT-506 is required.

- Authentication Unit AU-201**  
IC card type  
\* WT-506 or MK-735 is required. However, AU-102 cannot be combined when equipped with WT-506.

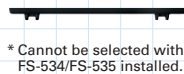
- Mount Kit MK-735**  
For IC card authentication installation  
Built into front panel.

- Mount Kit MK-730**  
Used for banner printing.



- Trans-Kit TK-101**
- Large Capacity Unit LU-204**  
Increases the bizhub's paper capacity by 2,500 sheets for paper up to SRA3 and 80 g/m<sup>2</sup> thick.
- Large Capacity Unit LU-301**  
Increases the bizhub's paper capacity by 3,000 sheets for paper up to A4 size and 80 g/m<sup>2</sup> thick.

- Desk DK-705**



\* Cannot be selected with FS-534/FS-535 installed.

- Paper Feed Cabinet PC-110 (500 x 1)**



- A5 (Short edge feed) to A3
- 500 sheets x 1
- 52 to 256 g/m<sup>2</sup>

- Paper Feed Cabinet PC-210 (500 x 2)**



- A5 (Short edge feed) to A3
- 500 sheets x 2
- 52 to 256 g/m<sup>2</sup>

- Paper Feed Cabinet PC-410 (2,500)**



- A4/Letter Crosswise
- 2,500 sheets
- 52 to 256 g/m<sup>2</sup>

- Desk DK-510**



Note: Some options are not listed.

# Specifications

## bizhub C554e/C454e General Specifications

		bizhub C554e	bizhub C454e
Type			
Desktop Full Colour Printer / Copier / Scanner			
Colour Support			
Full colour			
Copy Resolution	Scan	Main: 600 dpi x Sub: 600 dpi	
	Print	1,800 dpi (equivalent) x 600 dpi	
Gradation			
256			
Memory Capacity (Std./Max.)			
2 GB/4 GB			
HDD			
250 GB			
Original Type			
Sheets, Books, Objects			
Max. Original Size			
A3 (11" x 17")			
Output Size			
SRA3 to A5, B6S*, A6S*1 Thick paper, Foolscap** (8-1/2" x 13-1/2", 200 mm x 330 mm, 8-1/8" x 13-1/4", 8-1/2" x 13", 8-1/4" x 13", 8" x 13", 8K, 16K, Long Length Paper (210 x 457.3 mm to 297 x 1,200 mm))			
Image Loss			
Max. 4.2 mm or less for top edge (5 mm for thin paper), Max. 3.0 mm or less for bottom edge, Max. 3.0 mm or less for right/left edges *A loss of 4.2 mm each during printing.			
Warm-Up Time**3 (23°C, std. voltage)			
*The time required to start printing when both the main power and sub-power switches are turned from OFF to ON.		Colour/B&W: 22 sec. or less	Colour/B&W: 25 sec. or less
*The time required to start printing when the main power switch is ON and the sub-power switch is turned from OFF to ON.		Colour/B&W: 22 sec. or less	Colour/B&W: 25 sec. or less
First Copy Out Time**4			
Colour: 4.6 sec. or less B&W: 4.1 sec. or less		Colour: 5.5 sec. or less B&W: 4.6 sec. or less	
Copy Speed (A4 Crosswise)			
Colour/B&W: 55 ppm		Colour/B&W: 45 ppm	
Copy Magnification	Fixed Same Magnification	1: ±0.5% or less	
	Scaling Up	1: 1.154/1.224/1.414/2.000	
	Scaling Down	1: 0.866/0.816/0.707/0.500	
	Preset	3 types	
	Zoom	25 to 400% (in 0.1% increments)	
	Lengthwise Crosswise Individual Settings	25 to 400% (in 0.1% increments)	
Paper Capacity (80 g/m <sup>2</sup> )	Tray 1	500 sheets (up to A3)	
	Tray 2	500 sheets (up to SRA3)	
	Multiple Bypass Tray	150 sheets (up to SRA3)	
Max. Paper Capacity (80 g/m <sup>2</sup> )*5			
6,650 sheets			
Paper Weight	Tray 1/2	52 to 256 g/m <sup>2</sup>	
	Multiple Bypass Tray	60 to 300 g/m <sup>2</sup>	
Multiple Copy			
1 to 9,999 sheets			
Auto Duplex	Paper Size	Width: 100 to 320 mm, Length: 148 to 457.2 mm	
	Paper Weight	52 to 256 g/m <sup>2</sup>	
Power Requirements			
AC220 to 240 V 9 A (60 to 60 Hz)			
Max. Power Consumption			
2.0 kW or less			
Dimensions [W] x [D] x [H]			
615 x 685 x 921 mm (24-1/4" x 27-1/2" x 36-1/4")			
Weight			
Approx. 101 kg (222-3/4 lb)			
Space Requirements [W] x [D]*6			
937 x 1,246 mm (37" x 49")			

\*1 S: Short edge feed  \*2 Set by Customer engineer

\*3 May vary depending on the operating environment and usage.

\*4 A4 crosswise full size/using the first tray/scanning from the original glass surface.

\*5 With options installed.

\*6 Without options, with paper trays pulled out, and multiple bypass tray, auxiliary tray and ADF opened.

## Printer Specifications

Type		Embedded
CPU		SOC 800 MHz (DualCore)
Memory		Shared with the copier
Print Speed		Same as Copy Speed (when using the same original)
HDD		250 GB (Shared with the copier)
Print Resolution		1,800 dpi (equivalent) x 600 dpi (at smoothing) or 1,200 dpi x 1,200 dpi (in 1,200 dpi mode)
PDL		PCL 5e/c Emulation, PCL 6 Emulation, PostScript 3 (3016) Emulation, XPS (Ver.1.0)
Protocol		TCP/IP, IPX/SPX (NDISsupport), SMB (NetBEUI), LPD, IPP1.1, SNMP, HTTP
Support OS		Windows Vista / Vista 64bit / 7 / 7 64bit / 8 / 8 64bit / 8.1 / 8.1 64bit Windows Server 2003 / Server 2003 64bit / Server 2003 R2 / Server 2003 R2 64bit / Server 2008 / Server 2008 64bit / Server 2008 R2 / Server 2012 / Server 2012 R2 Mac OS 9.2 / X 10.2 / X 10.3 / X 10.4 / X 10.5 / X 10.6 / X 10.7 / X 10.8 / X 10.9 Linux
Fonts	PCL	80 Roman fonts
	PS	137 Roman Type1 fonts
Interface		Ethernet (10BASE-T/100BASE-TX/1000BASE-T), USB 1.1, USB 2.0, USB Host

## Scanning Specifications

Type		Full-Colour Scanner
Interface		Ethernet (10BASE-T/100BASE-TX/1000BASE-T)
Driver		TWAIN Driver, HDD TWAIN Driver
Protocol		TCP/IP (FTP, SMB, SMTP, WebDAV) (IPv4/IPv6)
Scanning Speed (Colour/B&W) (300 dpi, A4 Crosswise)	Simplex	80 opm
	Duplex	160 opm
Scanning Size		Max. A3 (11" x 17")
Output Format		TIFF, JPEG, PDF, Compact PDF, XPS, Compact XPS, OOXML (pptx, xlsx*, docx*), Searchable PDF*, PDF/A*, Linearised PDF* *Optional
Scanning Resolution	Push	200 dpi / 300 dpi / 400 dpi / 600 dpi
	Pull	100 dpi / 200 dpi / 300 dpi / 400 dpi / 600 dpi
Main Functions		Scan to E-Mail, Scan to FTP, Scan to BOX (HDD), Scan to PC (SMB), Network TWAIN, Scan to WebDAV, Scan to Me, Scan to Home, Scan to USB, Scan to Scan Server, Scan to Web Service (WSD-Scan), Device Profile for Web Services (DPWS)
Other Functions		Multi-Method Send, Authentication at the time of E-Mail send (SMTP authentication, POP before SMTP), S/MIME, Annotation

## Internet Fax

Protocol		SMTP, POP
Connection Mode		Full-Mode
Sending Paper Size		A3, B4, A4
Recording Paper Size		Max. A3
Resolution		200 x 100 dpi, 200 x 200 dpi, 400 x 400 dpi, 600 x 600 dpi
Interface		Ethernet (10BASE-T/100BASE-TX/1000BASE-T)
Colour		Support Colour Internet Fax
Format		Send: TIFF-F, Receive: TIFF-F, Colour/Grey Scale: TIFF (RFC3949 Profile-C)

## Dual Scan Document Feeder

Type		Single pass simultaneous duplex system
Support Paper Size		A3 to A6S*1, 11" x 17" to 5-1/2" x 8-1/2", Foolscap** (8-1/2" x 13-1/2", 200 mm x 330 mm, 8-1/8" x 13-1/4", 8-1/2" x 13", 8-1/4" x 13", 8" x 13", 8K, 16K
Mixed Size Original Set		Support Centre guide
Resolution		600 dpi support
Support Paper Weight		Simplex: 35 to 163 g/m <sup>2</sup> , Duplex: 50 to 163 g/m <sup>2</sup> , Mixed Original: 50 to 128 g/m <sup>2</sup> FAX Mode: 35 to 163 g/m <sup>2</sup> (Simplex), 50 to 163 g/m <sup>2</sup> (Duplex)
Paper Capacity		Max. 100 sheets (80 g/m <sup>2</sup> )
Productivity (A4 Crosswise)	Simplex	Copy (Colour/B&W): 55 opm (600 dpi) Scan (Colour/B&W): 80 opm (300 dpi)
	Duplex	Copy (Colour/B&W): 110 opm (600 dpi) Scan (Colour/B&W): 160 opm (300 dpi)
Power Requirements		Supplied from the MFP main body
Max. Power Consumption		74.5 W or less
Dimensions [W] x [D] x [H]		611.2 x 503.6 x 130 mm (24" x 19-3/4" x 5")
Weight		Approx. 12 kg (26-1/2 lb)

\*1 S: Short edge feed  \*2 Set by Customer engineer

## Fax Kit FK-511 (Optional)

Communication		Super G3
Compatible Lines		Public Switch Telephone Network, Private Branch Exchange, Fax Communication Line
Line Density		G3 (8 dot/mm x 3.85 line/mm, 600 x 600 dpi)
Modem Speed		2.4 to 33.6 kbps
Compression		MH/MR/MMR/JBIG
Sending Paper Size		Max. A3 (Long Length Support: Max. 1,000 mm)
Recording Paper Size		Max. A3 (Long Length Max. 1,000 mm — following the page division —)
Transmission Speed		Less than 3 sec. (A4, V.34, 33.6 kbps, JBIG)
Memory		Shared with the copier
Number of Abbr. Dials		2,000
Number of Program Dials		400
Number of Group Dials		100
Sequential Multiple Station Transmission		Max. 600

## IP Address Fax \*Optional Fax Kit FK-511 is required.

Protocol/Transmission		SMTP
Sending Paper Size		A3, B4, A4
Resolution		200 x 200 dpi, 400 x 400 dpi, 600 x 600 dpi
Format		Send: TIFF-F, Receive: TIFF-F Colour/Grey Scale: TIFF (RFC3949 Profile-C)

## Fiery Image Controller IC-414 (Optional) \*Optional Video Interface Kit VI-506 is required.

Type		Embedded
CPU		Intel Pentium E5300 2.60 GHz
Memory		2 GB
HDD		160 GB
Print Speed		Same as Copy Speed (when using the same original)
Print Resolution		1,800 dpi (equivalent) x 600 dpi (at smoothing) or 1,200 dpi x 1,200 dpi (in 1,200 dpi mode)
PDL		PCL 6, Adobe PostScript 3 (3019)
Protocol		Ethernet (Apple Talk, TCP/IP), HTTP/HTTPS, SSL/TLS for HTTPS, SMB, Port9100 (Bi-Directional), IPP, LDAP, IPv6, SNMP v3
Support OS		Windows Vista / Vista 64bit / 7 / 7 64bit / 8 / 8 64bit / 8.1 / 8.1 64bit Windows Server 2003 / Windows Server 2003 64bit / Server 2008 / Server 2008 R2 / Server 2012 / Server 2012 R2 Mac OS X 10.4.11 / X 10.5 / X 10.6 / X 10.7 / X 10.8 / X 10.9
Fonts		Adobe PS 138 Roman fonts, Agfa PCL 80 Roman fonts and 1 bitmap font, Additional PCL 35 fonts, Euro Currency Resident Font
Interface		Ethernet (10BASE-T/100BASE-TX/1000BASE-T), USB

## Finisher FS-533 (Optional)

Type		Finisher
Support Paper Type		Thin paper/Plain paper (52 to 90 g/m <sup>2</sup> ), Thick paper (91 to 300 g/m <sup>2</sup> ), Transparency, Envelope, Label sheet, Letterhead paper, Long length paper, Tab paper
Support Paper Size		SRA3 to A5, B6S*1, A6S*1, Thick paper, Foolscap** (8-1/2" x 13-1/2", 200 mm x 330 mm, 8-1/8" x 13-1/4", 8-1/2" x 13", 8-1/4" x 13", 8" x 13", 8K, 16K, Long Length Paper (210 x 457.3 mm to 297 x 1,200 mm))
Mode		Sort, Group, Offset Sort, Offset Group, Staple
Stacking Capacity		500 sheets (52 to 90 g/m <sup>2</sup> , A4S*1 or smaller) 250 sheets (52 to 90 g/m <sup>2</sup> , B4 or larger) 10 sheets (91 to 300 g/m <sup>2</sup> , special paper)
Staple Capacity		50 sheets (52 to 90 g/m <sup>2</sup> , A4S*1 or smaller) 30 sheets (52 to 90 g/m <sup>2</sup> , B4 or larger) 2 sheets (91 to 209 g/m <sup>2</sup> , as cover pages)
Power Requirements		Supplied from the MFP main body
Max. Power Consumption		40 W or less
Dimensions [W] x [D] x [H]		472.5 x 583.5 x 194.7 mm (18-1/2" x 23" x 7-3/4")
Weight		Approx. 12 kg (26-1/2 lb)

\*1 S: Short edge feed  \*2 Set by Customer engineer

## Job Separator JS-506 (Optional)

Support Paper Type (Weight)	Tray 1	Thin paper/Plain paper (52 to 90 g/m <sup>2</sup> ), Thick paper (91 to 300 g/m <sup>2</sup> ), Transparency, Envelope, Label sheet
	Tray 2	Thin paper/Plain paper (52 to 90 g/m <sup>2</sup> ), Thick paper (91 to 300 g/m <sup>2</sup> ), Transparency, Envelope, Label sheet, Long length paper
Support Paper Size		SRA3 to A5, B6S*1, A6S*1, Thick paper, Foolscap** (8-1/2" x 13-1/2", 200 mm x 330 mm, 8-1/8" x 13-1/4", 8-1/2" x 13", 8-1/4" x 13", 8" x 13", 8K, 16K, Long Length Paper (210 x 457.3 mm to 297 x 1,200 mm))
Stacking Capacity	Tray 1	100 sheets (52 to 90 g/m <sup>2</sup> )
	Tray 2	150 sheets (52 to 90 g/m <sup>2</sup> )
Power Requirements		Supplied from MFP main body
Max. Power Consumption		24 W or less
Dimensions [W] x [D] x [H]		491.9 x 469.5 x 226.5 mm (19-1/2" x 18-1/2" x 9")
Weight		Approx. 1.5 kg (3-1/4 lb)

\*1 S: Short edge feed  \*2 Set by Customer engineer

# Specifications



## Finisher FS-534 (Optional)

Type	Finisher	
Support Paper Type	Thin paper/Plain paper (52 to 90 g/m <sup>2</sup> ), Thick paper (91 to 300 g/m <sup>2</sup> ), Transparency, Envelope, Label sheet, Letterhead paper, Long length paper, Tab paper	
Support Paper Size	SRA3 to A5, B6S <sup>*1</sup> , A6S <sup>*1</sup> Thick paper, Foolscap <sup>*2</sup> (8-1/2" × 13-1/2", 200 mm × 330 mm, 8-1/8" × 13-1/4", 8-1/2" × 13", 8-1/4" × 13", 8" × 13"), 8K, 16K, Long Length Paper (210 × 457.3 mm to 297 × 1,200 mm)	
Mode	Sort, Group, Offset Sort, Offset Group, Staple	
Stacking Capacity	Output tray 1 (Sub tray)	200 sheets (52 to 90 g/m <sup>2</sup> ) 20 sheets (91 to 300 g/m <sup>2</sup> , special paper)
	Output tray 2 (Main tray)	3,000 sheets (52 to 90 g/m <sup>2</sup> , A4S <sup>*1</sup> or smaller, B5 or larger) <sup>*2,000 sheets when SD-511 is installed</sup> 1,500 sheets (52 to 90 g/m <sup>2</sup> , B4 or larger) 500 sheets (52 to 90 g/m <sup>2</sup> , A5 or smaller) 20 sheets (91 to 300 g/m <sup>2</sup> , special paper)
	Output tray 3 (Relay Unit top surface)	100 sheets (52 to 90 g/m <sup>2</sup> ) 20 sheets (91 to 300 g/m <sup>2</sup> , special paper)
Staple Capacity	50 sheets (Plain Paper 52 to 90 g/m <sup>2</sup> ) 48 sheets (Plain paper 52 to 90 g/m <sup>2</sup> ) + 2 sheets (Thick paper 91 to 209 g/m <sup>2</sup> ) 30 sheets (Thick paper 91 to 120 g/m <sup>2</sup> ) 15 sheets (Thick paper 121 to 209 g/m <sup>2</sup> )	
Power Requirements	Supplied from the MFP main body	
Max. Power Consumption	56 W or less	
Dimensions [W] × [D] × [H]	528 × 641 × 1,023 mm (20-3/4" × 25-1/4" × 40-1/4")	
Weight	Approx. 40 kg (88-1/4 lb)	

\*1 S: Short edge feed  \*2 Set by Customer engineer

## Saddle Stitcher SD-511 (For FS-534) / SD-512 (For FS-535) (Optional)



Model	SD-511	SD-512
Applicable	Finisher FS-534	Finisher FS-535
Support Paper Type	Centre Staple: 52 to 90 g/m <sup>2</sup> Half-Fold: 52 to 209 g/m <sup>2</sup> (more than 91 g/m <sup>2</sup> Thick paper can be used only as a cover page) Tri-Fold: 52 to 90 g/m <sup>2</sup>	
Support Paper Size	Centre Staple and Fold, Half-Fold: A3 Wide, A3, B4, A4S <sup>*1</sup> , 12-1/4" × 18", 11" × 17", 8-1/2" × 14", 8-1/2" × 11", 8K Tri-Fold: A4S <sup>*1</sup> , 8-1/2" × 11S <sup>*1</sup> , 16KS <sup>*1</sup>	Centre Staple and Fold, Half-Fold: A3 Wide, A3, B4, A4S <sup>*1</sup> , 12-1/4" × 18", 11" × 17", 8-1/2" × 14", 8-1/2" × 11", 8K Tri-Fold: A4S <sup>*1</sup> , 8-1/2" × 11S <sup>*1</sup> , 16KS <sup>*1</sup>
Maximum Number of Sheets that can be Centrestapled	20 (52 to 90 g/m <sup>2</sup> ) sheets, or 19 (90 g/m <sup>2</sup> ) sheets + Thick (209 g/m <sup>2</sup> ) 1 sheet	
Maximum Number of Folded Sheets	Half-Fold: 5 sheets or Thick paper (91 to 209 g/m <sup>2</sup> ) 1 sheet, Tri-Fold: 3 sheets	
Stacking Capacity	1 to 3 sheets: 20 sets, 4 to 10 sheets: 10 sets 11 to 20 sheets: 5 sets Tri-Fold (1 sheet): 30 sets, Tri-Fold (2-3 sheets): 10 sets	1 to 5 sheets: 35 sets 6 to 10 sheets: 25 sets (paper length: 330 mm or less), 30 sets (paper length: over 330 mm) 11 to 20 sheets: 15 sets Tri-Fold (1 sheet): 50 sets, Tri-Fold (2 sheets): 40 sets, Tri-Fold (3 sheets): 30 sets
Power Requirements	Supplied from Finisher FS-534	
Max. Power Consumption	31 W or less	
Dimensions [W] × [D] × [H]	210 × 556 × 547 mm (8-1/2" × 21-3/4" × 21-1/2")	239 × 579 × 534 mm (9-1/2" × 22-3/4" × 21")
Weight	Approx. 24 kg (53 lb)	Approx. 25.5 kg (56-1/4 lb)

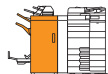
\*1 S: Short edge feed

## Punch Kit PK-519 (For FS-533) / PK-520 (For FS-534) / PK-521 (For FS-535) (Optional)

Model	PK-519	PK-520	PK-521
Applicable	Finisher FS-533	Finisher FS-534	Finisher FS-535
Number of holes	2 holes or 4 holes		
Support Paper Type (Weight)	Thin paper/Plain paper (52 to 90 g/m <sup>2</sup> ), Thick paper (91 to 157 g/m <sup>2</sup> )	Thin paper/Plain paper (52 to 90 g/m <sup>2</sup> ), Thick paper (91 to 300 g/m <sup>2</sup> )	
Support Paper Size	A3, B4, A4, B5, Foolscap <sup>*2</sup> (8-1/2" × 13-1/2", 200 mm × 330 mm, 8-1/8" × 13-1/4", 8-1/2" × 13", 8-1/4" × 13", 8" × 13"), 8K, 16K	A3, B4, A4, B5, Foolscap <sup>*2</sup> (8-1/2" × 13-1/2", 200 mm × 330 mm, 8-1/8" × 13-1/4", 8-1/2" × 13", 8-1/4" × 13", 8" × 13"), 8K, 16K	A3, B4, A4, B5 (Excluding size 52 to 59 g/m <sup>2</sup> B5S <sup>*1</sup> ), A5, Foolscap <sup>*2</sup> (6-1/2" × 13-1/2", 200 mm × 330 mm, 8-1/8" × 13-1/4", 8-1/2" × 13", 8-1/4" × 13", 8" × 13"), 8K, 16K
Power Requirements	Supplied from Finisher FS-533	Supplied from Finisher FS-534	Supplied from Finisher FS-535
Max. Power Consumption	17 W or less		
Dimensions [W] × [D] × [H]	110.2 × 483.5 × 203.2 mm (4-1/2" × 19" × 8")	61 × 492 × 142 mm (2-1/2" × 19-1/2" × 5-1/2")	146.2 × 639.2 × 233.8 mm (5-3/4" × 25-1/4" × 9-1/4")
Weight	Approx. 3.2 kg (7 lb)	Approx. 1.8 kg (4 lb)	Approx. 4.5 kg (10 lb)

\*1 S: Short edge feed  \*2 Set by Customer engineer

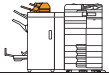
## Finisher FS-535 (For bizhub C554e Only) (Optional)



Type	Finisher	
Support Paper Type	Thin paper/Plain paper (52 to 90 g/m <sup>2</sup> ), Thick paper (91 to 300 g/m <sup>2</sup> ), Transparency, Envelope, Label sheet, Letterhead paper, Long length paper, Tab paper	
Support Paper Size	SRA3 to A5, B6S <sup>*1</sup> , A6S <sup>*1</sup> Thick paper, Foolscap <sup>*1</sup> (8-1/2" × 13-1/2", 200 mm × 330 mm, 8-1/8" × 13-1/4", 8-1/2" × 13", 8-1/4" × 13", 8" × 13"), 8K, 16K, Long Length Paper (210 × 457.3 mm to 297 × 1,200 mm)	
Mode	Sort, Group, Offset Sort, Offset Group, Staple	
Stacking Capacity	Output tray 1 (Sub tray)	200 sheets (60 to 90 g/m <sup>2</sup> ) 50 sheets (52 to 59 g/m <sup>2</sup> ) 20 sheets (91 to 300 g/m <sup>2</sup> , special paper)
	Output tray 2 (Main tray)	3,000 sheets (52 to 90 g/m <sup>2</sup> , A4S <sup>*1</sup> or smaller) <sup>*2,500 sheets when SD-512 is installed.</sup> 1,500 sheets (52 to 90 g/m <sup>2</sup> , B4 or larger) 500 sheets (52 to 90 g/m <sup>2</sup> , A5S <sup>*1</sup> or smaller) 100 sheets (91 to 300 g/m <sup>2</sup> )
Staple Capacity	Max. 100 sheets (52 to 90 g/m <sup>2</sup> )	
Power Requirements	Supplied from the MFP main body	
Max. Power Consumption	77 W or less	
Dimensions [W] × [D] × [H]	724 × 709.5 × 1,025 mm (28-1/2" × 28" × 40-1/2")	
Weight	Approx. 63.5 kg (140 lb)	

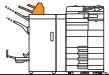
\*1 S: Short edge feed  \*2 Set by Customer engineer

## Post Inserter PI-505 (For FS-535) (Optional)



Applicable	Finisher FS-535	
Support Paper Type (Weight)	Plain paper (60 to 90 g/m <sup>2</sup> ), Thick paper (91 to 209 g/m <sup>2</sup> )	
Support Paper Size	Upper Tray	A4, B5, A5 Crosswise, 8-1/2" × 11", 7-1/4" × 10-1/2", 5-1/2" × 8-1/2" Crosswise, 16K
	Lower Tray	A3 Wide, A3, B4, A4, B5, A5 Crosswise, Foolscap <sup>*1</sup> (8-1/2" × 13-1/2", 200 mm × 330 mm, 8-1/8" × 13-1/4", 8-1/2" × 13", 8-1/4" × 13", 8" × 13"), 12" × 18", 11" × 17", 8-1/2" × 14", 8-1/2" × 11", 10-1/2" × 8", 7-1/4" × 10-1/2", 5-1/2" × 8-1/2" Crosswise, 8K, 16K
Paper Capacity	200 sheets (Plain paper, 80 g/m <sup>2</sup> )	
Power Requirements	Supplied from Finisher FS-535	
Max. Power Consumption	30 W or less	
Dimensions [W] × [D] × [H]	511 × 635 × 220 mm (20-1/4" × 25" × 8-3/4")	
Weight	Approx. 10.5 kg (23-1/4 lb)	

\*1 Set by Customer engineer

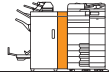


## Job Separator JS-602 (For FS-535) (Optional)

Applicable	Finisher FS-535	
Support Paper Type (Weight)	Plain paper (60 to 90 g/m <sup>2</sup> )	
Support Paper Size	A3, B4, A4, B5, A5S <sup>*1</sup> , Foolscap <sup>*2</sup> (8-1/2" × 13-1/2", 200 mm × 330 mm, 8-1/8" × 13-1/4", 8-1/2" × 13", 8-1/4" × 13", 8" × 13"), 11" × 17", 8-1/2" × 14", 8-1/2" × 11", 10-1/2" × 8", 7-1/4" × 10-1/2", 5-1/2" × 8-1/2" S <sup>*1</sup> , 8K, 16K	
Power Requirements	Supplied from Finisher FS-535	
Max. Power Consumption	5 W or less	
Dimensions [W] × [D] × [H]	341 × 537 × 149 mm (13-1/2" × 21-1/4" × 5-3/4")	
Weight	Approx. 1.75 kg (3-3/4 lb)	

\*1 S: Short edge feed  \*2 Set by Customer engineer

## Z Folding Unit ZU-606 (For FS-535) (Optional)



Applicable	Finisher FS-535	
Punch Holes	2 holes or 4 holes	
Punch Paper Weight	60 to 90 g/m <sup>2</sup>	
Punch Paper Size	2 holes: A3, B4, A4S <sup>*1</sup> , B5, A5, 8K, 16K Foolscap <sup>*2</sup> (8-1/2" × 13-1/2", 200 mm × 330 mm, 8-1/8" × 13-1/4", 8-1/2" × 13", 8-1/4" × 13", 8" × 13") 4 holes: A3, B4, A4 Crosswise, 8K, 16K Crosswise	
Z Fold Paper Size	A3, B4, 8K	
Z Fold Paper Weight	60 to 90 g/m <sup>2</sup>	
Power Requirements	AC100 to 240 V	
Max. Power Consumption	120 W or less	
Dimensions [W] × [D] × [H]	169 × 660 × 1,028 mm (6-3/4" × 26" × 40-1/2")	
Weight	Approx. 45 kg (99-1/4 lb)	

\*1 S: Short edge feed  \*2 Set by Customer engineer

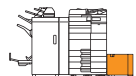
## Paper Feed Cabinet PC-110 / PC-210 / PC-410 (Optional)



Model	PC-110	PC-210	PC-410
Support Paper Type (Weight)	Thin paper/Plain paper (52 to 90 g/m <sup>2</sup> ), Thick paper (91 to 256 g/m <sup>2</sup> )		
Support Paper Size	A3 to A5S <sup>*1</sup> , 11" × 17" to 8-1/2" × 11", Foolscap <sup>*2</sup> (8-1/2" × 13-1/2", 200 mm × 330 mm, 8-1/8" × 13-1/4", 8-1/2" × 13", 8-1/4" × 13", 8" × 13"), 8K, 16K Crosswise	A4 Crosswise (8-1/2" × 11" Crosswise)	
Paper Capacity	Top tray (Tray 3)	Plain paper: 500 sheets, Thick paper: 150 sheets	Plain paper: 2,500 sheets, Thick paper: 1,000 sheets
	Bottom tray (Tray 4)	Plain paper: 500 sheets, Thick paper: 150 sheets	
Power Requirements	Supplied from the MFP main body		
Dimensions [W] × [D] × [H]	615 × 652 × 246 mm (24-1/4" × 25-3/4" × 9-3/4")		
Unit Configuration	Paper tray, 1 level	Paper tray, 2 levels	
Weight	Approx. 22 kg (48-1/2 lb)	Approx. 24 kg (53 lb)	Approx. 23 kg (50-3/4 lb)

\*1 S: Short edge feed  \*2 Set by Customer engineer

## Large Capacity Unit LU-204 / LU-301 (Optional)



Model	LU-204	LU-301
Support Paper Type (Weight)	Thin paper/Plain paper (52 to 90 g/m <sup>2</sup> ), Thick paper (91 to 256 g/m <sup>2</sup> )	
Support Paper Size	SRA3 to A4, 12" × 18" to 8-1/2" × 11" <sup>*1</sup>	
Paper Capacity	Plain paper: 2,500 sheets (80 g/m <sup>2</sup> ) / 2,750 sheets (60 g/m <sup>2</sup> ) Thick paper 1+: 2,000 sheets, Thick paper 2+: 1,450 sheets, Thick paper 3+: 1,000 sheets	A4 Crosswise (8-1/2" × 11" Crosswise) Plain paper: 3,000 sheets (80 g/m <sup>2</sup> ) / 3,300 sheets (60 g/m <sup>2</sup> ) Thick paper 1+: 2,500 sheets, Thick paper 1+: 1,750 sheets, Thick paper 2+: 1,550 sheets, Thick paper 3+: 1,300 sheets
	Power Requirements	Supplied from the MFP main body
Max. Power Consumption	22 W or less	
Dimensions [W] × [D] × [H]	629 × 556 × 405 mm (24-3/4" × 22" × 16")	367 × 528 × 405 mm (14-1/2" × 20-3/4" × 16")
Weight	Approx. 25 kg (55 lb)	Approx. 18 kg (39-3/4 lb)

\*1 The maximum number of loadable sheets for each paper size is 2,500 sheets (for 80 g/m<sup>2</sup>) or 2,750 sheets (for 60 g/m<sup>2</sup>)  
\* Thick paper 1+: 91 to 120 g/m<sup>2</sup>, Thick paper 1+: 121 to 157 g/m<sup>2</sup>, Thick paper 2+: 158 to 209 g/m<sup>2</sup>, Thick paper 3+: 210 to 256 g/m<sup>2</sup>

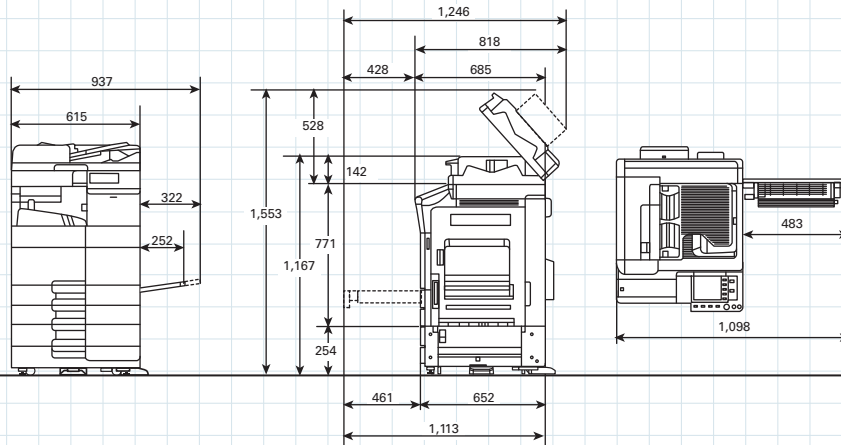
## Authentication Unit (IC Card type) AU-201 (Optional)

Applicable Card	ISO 14443 TypeA, FelICa-based noncontact IC card	
Interface	USB 2.0	
Power Supply	Power received from USB port	
Dimensions [W] × [D] × [H]	92 × 64 × 16 mm (3-3/4" × 2-1/2" × 3/4")	
Weight	Approx. 120 g (264-1/2 lb)	

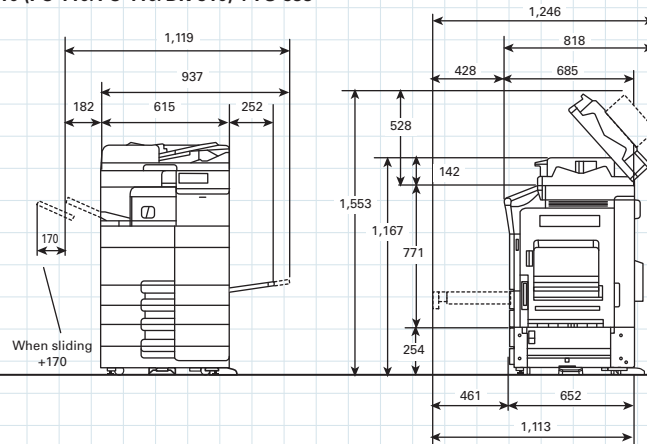
## Authentication Unit (Biometric type) AU-102 (Optional)

Biometric Sensor System	Transmission-type optical system	
Interface	USB 2.0	
Verification Time	Approx. 1 sec. or less	
Max. Power Consumption	DC 5 V 500 mA	
Dimensions [W] × [D] × [H]	59 × 82 × 74 mm (2-1/4" × 3-1/4" × 3")	
Weight	Approx. 96 g (211-3/4 lb) (excluding USB cable)	

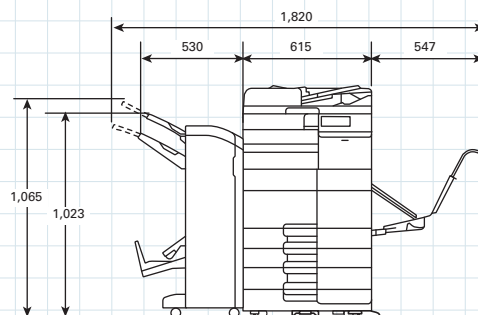
■ bizhub C554e (C454e) + DF-701 + PC-210 (PC-110/PC-410/DK-510) + OT-506



■ bizhub C554e (C454e) + DF-701 + PC-210 (PC-110/PC-410/DK-510) + FS-533



■ bizhub C554e (C454e) + DF-701 + PC-210 (PC-110/PC-410/DK-510) + MK-730 + FS-534 + SD-511



■ bizhub C554e + DF-701 + PC-210 (PC-110/PC-410/DK-510) + MK-730 + LU-204 (LU-301) + FS-535 + PI-505 + SD-512 + ZU-606

